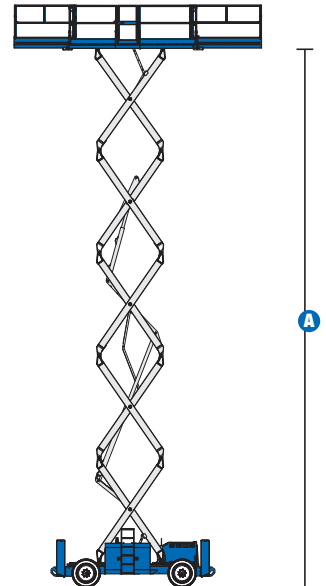
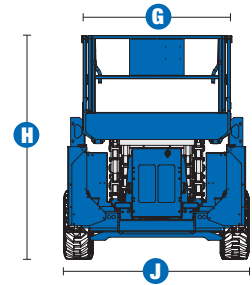
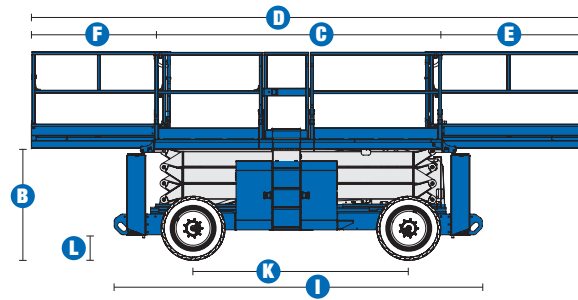


Specifications



MODELS	GS™-4390 RT		GS™-5390 RT	
MEASUREMENTS	Metric	US	Metric	US
Working height maximum*	15.11 m	149 ft	18.15 m	59 ft
A Platform height maximum	13.11 m	43 ft	16.15 m	53 ft
B Platform height - stowed**	1.80 m	5 ft 11 in	2.02 m	6 ft 7.5 in
C Platform length:	3.98 m	13 ft 0.5 in	3.98 m	13 ft 0.5 in
outside, extended - single deck	5.34 m	17 ft 6.25 in	5.34 m	17 ft 6.25 in
D outside, extended - dual deck	6.57 m	21 ft 6.5 in	6.57 m	21 ft 6.5 in
E Slide-out platform extension deck - front	1.52 m	5 ft	1.52 m	5 ft
F Slide-out platform extension deck - rear	1.22 m	4 ft	1.22 m	4 ft
G Platform width - outside	1.83 m	6 ft	1.83 m	6 ft
H Height: stowed	2.93 m	9 ft 7.5 in	3.15 m	10 ft 4 in
stowed - rails lowered	2.25 m	7 ft 4.75 in	2.47 m	8 ft 1.25 in
I Length - stowed with outriggers	4.88 m	16 ft	4.88 m	16 ft
Length - extended: single deck	5.40 m	17 ft 8.5 in	5.40 m	17 ft 8.5 in
dual deck	6.57 m	21 ft 6.5 in	6.57 m	21 ft 6.5 in
J Width: standard tyres	2.29 m	7 ft 6 in	2.29 m	7 ft 6 in
high flotation tyres	2.57 m	8 ft 5 in	2.57 m	8 ft 5 in
K Wheelbase	2.84 m	9 ft 4 in	2.84 m	9 ft 4 in
L Ground clearance - centre	0.36 m	1 ft 2 in	0.36 m	1 ft 2 in

PRODUCTIVITY				
Maximum platform occupancy***	7	7	4	4
Lift capacity	680 kg	1,500 lbs	680 kg	1,500 lbs
Lift capacity - extension deck	227 kg	500 lbs	227 kg	500 lbs
Drive height	full height	full height	13.11 m	43 ft
Drive speed - stowed	8.0 km/h	5.0 mph	8.0 km/h	5.0 mph
Drive speed - raised	1.1 km/h	0.7 mph	1.1 km/h	0.7 mph
Gradeability - stowed****	50%	50%	40%	40%
Maximum outrigger leveling:	front to back	7°	7°	7°
side to side	12°	12°	12°	12°
Turning radius - inside	2.16 m	7 ft 1 in	2.16 m	7 ft 1 in
Turning radius - outside	5.33 m	17 ft 6 in	5.33 m	17 ft 6 in
Controls	proportional		proportional	
Drive	four wheel		four wheel	
Raise / lower speed	55 / 49 sec	55 / 49 sec	55 / 49 sec	55 / 49 sec
Tyres - non-marking foam-filled rough terrain	30 x 84 cm	12 x 33 in	30 x 84 cm	12 x 33 in

POWER				
Power source	Deutz D2011L03i 3 cylinder diesel 36 kW (49 hp), air cooled			
Auxiliary Power unit	12V DC		12V DC	
Fuel tank capacity	113.6 L	30 gal	113.6 L	30 gal
Hydraulic system capacity	113.6 L	30 gal	113.6 L	30 gal

WEIGHT*****				
with outriggers	7,692 kg	16,958 lbs	8,274 kg	18,241 lbs

STANDARDS COMPLIANCE	ANSI A92.6, CSA B354.2, CE Compliance, AS 1418.10
----------------------	---

* The metric equivalent of working height adds 2 m to platform height. U.S. adds 6 ft to platform height.
 ** Based on RT tyres. Deduct 2 in (5.8 cm) for high flotation air-filled and non-marking tyres.
 *** GS™-5390 CE/AUS market limited to 4 person platform occupancy.
 **** Gradeability applies to driving on slopes. See operator's manual for details regarding slope ratings.
 ***** Weight will vary depending on options and/or country standards.

Features

STANDARD FEATURES

MEASUREMENTS

GS™-4390

- 15.11 m (49 ft) working height
- Up to 680 kg (1,500 lbs) lift capacity

GS™-5390

- 18.15 m (59 ft) working height
- Up to 680 kg (1,500 lbs) lift capacity

PRODUCTIVITY

- 3.98 m x 1.83 m (13 ft 0.5 in x 6 ft) steel frame platform with replaceable diamond plate aluminium deck
- Dual slide-out platform extension decks 1.52 m (5 ft) front and 1.22 m (4 ft) rear
- Proportional lift and drive
- Onboard diagnostic system
- Two self-closing gates
- 4WD
- Automatic leveling hydraulic outriggers
- Oscillating axle
- Positive traction control
- Four-wheel braking
- Slide-out engine tray
- Hydraulic oil cooler
- Tilt alarm
- Descent alarm
- Horn
- Hour meter
- Non-marking foam-filled rough terrain tyres
- Dual flashing beacons
- Motion alarm

POWER

- 12 V DC auxiliary power
- Deutz diesel 36 kW (49 hp)

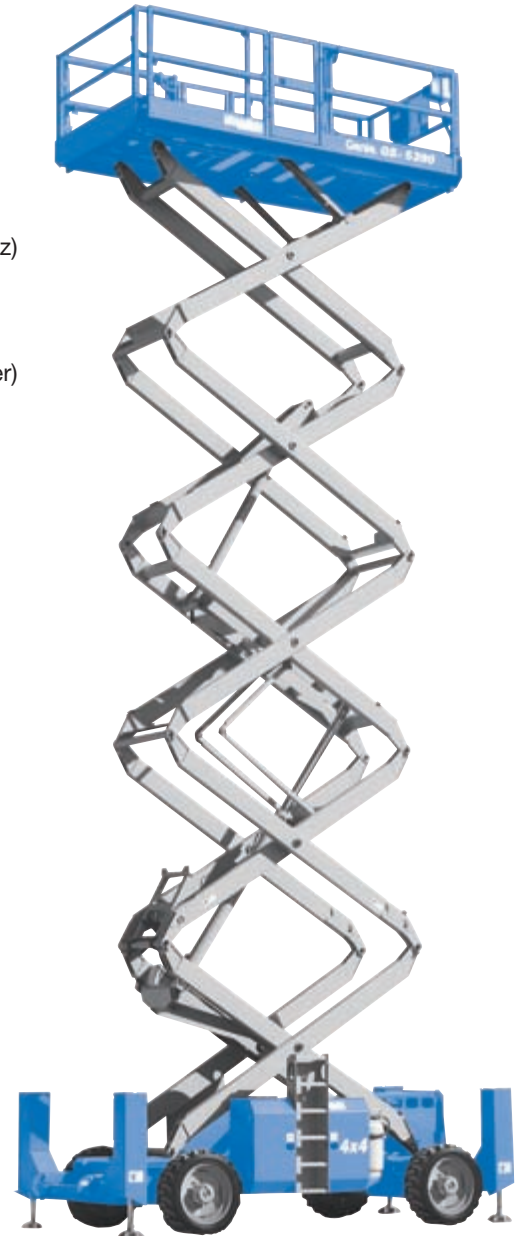
OPTIONS & ACCESSORIES

PRODUCTIVITY

- Air line to platform
- Pipe cradle (pair)
- High flotation foam-filled tyres 41 x 84 cm (16 x 33 in)
- Foam-filled rough terrain tyres
- Platform work lights

POWER OPTIONS

- 7 kVA Hydraulic generator (240 V/50 Hz)
- Cold weather package
- Arctic package
- Diesel scrubber/spark arrestor
- Diesel spark arrestor (without scrubber)
- 240 V power to platform



Genie Australia – Toll free number 1800 788 633

Brisbane (Head Office)
33 Kimberley Street
Darra QLD 4076

Sydney
74 Glendenning Road
Glendenning NSW 2761

Melbourne
374 Hammond Road
Dandenong VIC 3175

Perth
83 Bannister Road
Canning Vale WA 6155

Genie United States Distributed by:

18340 NE 76th Street
P.O. Box 97030
Redmond, Washington
98073-9730

Effective Date: April, 2009. Product specifications and prices are subject to change without notice or obligation. The photographs and/or drawings in this document are for illustrative purposes only. Refer to the appropriate Operator's Manual for instructions on the proper use of this equipment. Failure to follow the appropriate Operator's Manual when using our equipment or to otherwise act irresponsibly may result in serious injury or death. The only warranty applicable to our equipment is the standard written warranty applicable to the particular product and sale and we make no other warranty, express or implied. Products and services listed may be trademarks, service marks or trade-names of Terex Corporation, Genie Industries, Inc. and/or their subsidiaries in the U.S.A. and many other countries and all rights are reserved. Terex is a Registered Trademark of Terex Corporation in the U.S.A. and many other countries. Genie is a Registered Trademark of Genie Industries, Inc. in the U.S.A. and many other countries. Genie is a Terex Company. © 2009 Terex Corporation.

GS-4390RT, GS-5390RT 090327 Ver1

www.genieindustries.com