

E300AJP Battery Articulating Boom Lift



APPLICATIONS

- Facilities maintenance
- Shopping centres and other indoor areas
- Manufacturing and warehouse applications
- Telecommunications facilities
- Entertainment facilities
- Electricians

Proportional drive, lift and lowering for smooth operation

Operator tool tray

Exclusive Jib PLUS jib rotation for unequalled access up, over and around obstacles

180 degree hydraulic platform rotator for enhanced positioning

Ultra compact width and zero tail swing for tight corridors

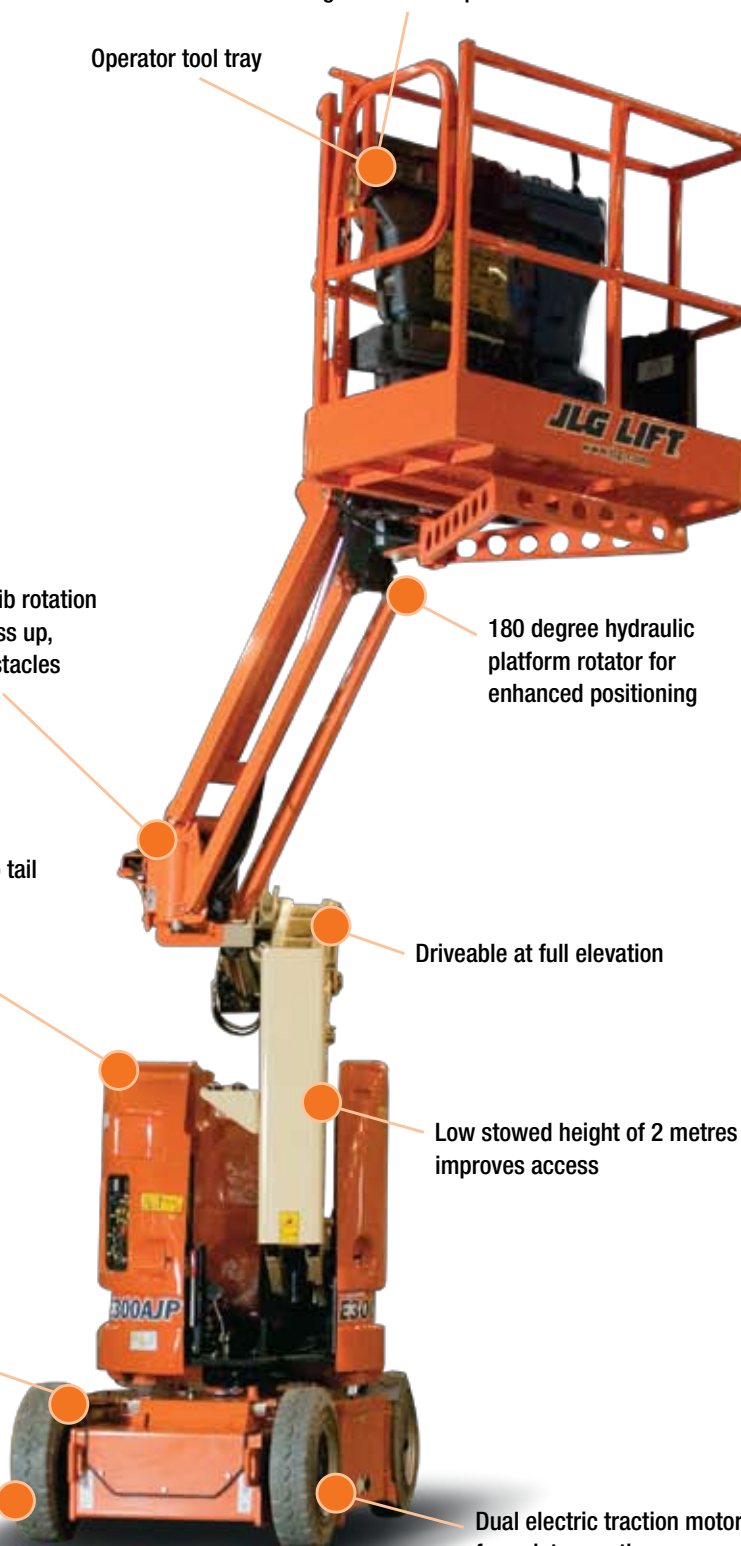
Driveable at full elevation

Low stowed height of 2 metres improves access

Traction control for improved traction on slippery floors and over obstacles

Dual electric traction motors for quiet operation

Non-marking tyres for sensitive floor areas

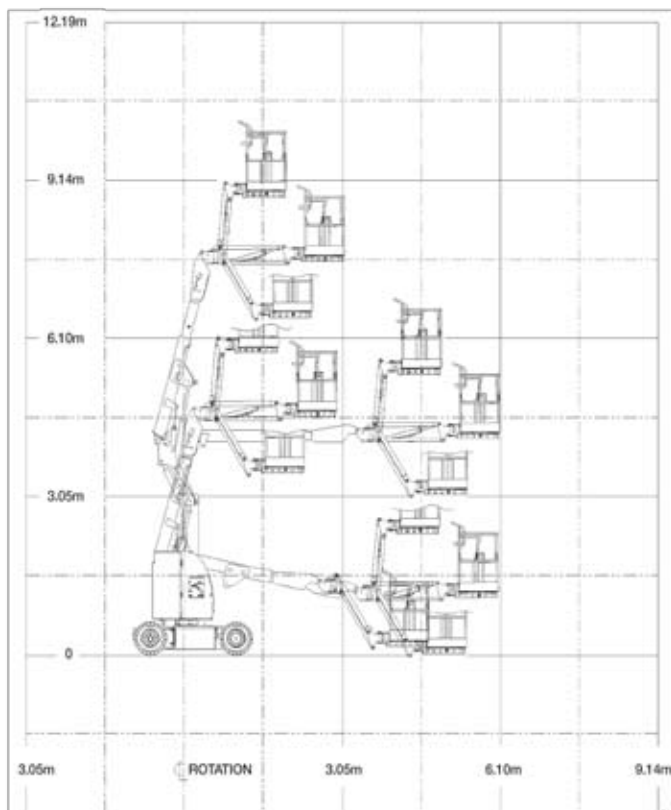


QUESTIONS TO ASK

- What are the ground conditions in the work area?
- What is the working height needed for the job?
- What is the up and over reach required for the job?
- Do you need an extension lead outlet in the platform?
- Do you need non-marking tyres?
- Do you have 240V AC power on site?

KEY SELLING POINTS

- Smooth control, proportional electric drive, with two speed ranges
- Proportional lift and swing controls at the platform
- Jib boom and basket rotate
- Jib PLUS feature allows jib boom to rotate either side of centre
- Cylinder boots protect cylinder rods from overspray and contaminants
- Non-marking solid tyres
- Multi axis 3 degree level sensor
- Plug in JLG analyser at platform and base to indicate system functions for servicing and adjustment
- No tail or boom swing
- Narrow width chassis for tight areas



SPECIFICATIONS

Performance:

Platform Height (max.)	9.14m
Working Height	11.14m
Platform Rotation Angle	180°
Jib Rotation Angle	180°
Jib Raise Angle	86°
Jib Lower Angle	55°
Jib Articulation Range	141°
Maximum Horizontal Outreach	6.25m
Platform Capacity	230kg
Slewing Angle	360°
Continuous Slew	No

Dimensions:

Stowed Length	5.59m
Stowed Height	2.01m
Overall Width	1.22m
Wheelbase	1.65m
Ground Clearance	0.1m
Platform Width	1.22m
Platform Length	0.76m
Overall Jib Length	1.24m
Tailswing	0m

Power:

Power Source	Electric DC
DC Voltage	48V
DC Power	370 Amp h

Travel:

Tyre Size	6.75 x 25
Tyre Type	Solid
Inside Turn Radius	1.52m
Outside Turn Radius	3.10m
Gradeability	25%

Weights and Capabilities:

Hydraulic Tank Capacity	11.4 Ltr
Operating Weight	7,200kg