

Specifications

MODELS	AWP™-20S		AWP™-25S		AWP™-30S	
MEASUREMENTS	Metric	US	Metric	US	Metric	US
Working height*	8.12 m	26 ft 1 in	9.57 m	30 ft 10 in	11 m	35 ft 6 in
Platform height	6.12 m	20 ft 1 in	7.57 m	24 ft 10 in	9 m	29 ft 6 in
A Height - stowed (Standard, Narrow)	1.98 m	6 ft 6 in	1.98 m	6 ft 6 in	1.98 m	6 ft 6 in
stowed (RT)	2.01 m	6 ft 7 in	2.01 m	6 ft 7 in	2.01 m	6 ft 7 in
B tilted back** (Standard)	1.78 m	5 ft 10 in	1.84 m	6 ft 0.3 in	1.89 m	6 ft 2.5 in
C Length - stowed (Standard)	1.24 m	4 ft 1 in	0.31 m	4 ft 3.5 in	1.35 m	14 ft 5 in
stowed (Narrow)	1.27 m	4 ft 2 in	1.32 m	4 ft 4 in	1.40 m	4 ft 7 in
stowed (RT)	1.60 m	5 ft 3 in	1.60 m	5 ft 3 in	1.60 m	5 ft 3 in
D Length - tilted back**	2.11 m	6 ft 11 in	2.11 m	6 ft 11 in	2.11 m	6 ft 11 in
E Width (Standard)	0.74 m	2 ft 5 in	0.74 m	2 ft 5 in	0.74 m	2 ft 5 in
Width (Narrow)	0.56 m	1 ft 10 in	0.56 m	1 ft 10 in	0.56 m	1 ft 10 in
Width (RT)	0.76 m	2 ft 6 in	0.76 m	2 ft 6 in	0.76 m	2 ft 6 in
PRODUCTIVITY						
Lift capacity	159 kg	350 lbs	159 kg	350 lbs	159 kg	350 lbs
Indoor:						
F G Outrigger footprint (l/w) (Standard)	1.55 x 1.35 m	5 ft 1 in x 4 ft 5 in	1.75 x 1.55 m	5 ft 9 in x 5 ft 1 in	1.93 x 1.73 m	6 ft 4 in x 5 ft 8 in
Outrigger footprint (l/w) (Narrow/RT)	1.80 x 1.47 m	5 ft 11 in x 4 ft 10 in	1.80 x 1.47 m	5 ft 11 in x 4 ft 10 in	2.11 x 1.88 m	6 ft 11 in x 6 ft 2 in
H Corner access*** (Standard)	0.38 m	1 ft 3 in	0.48 m	1 ft 7 in	0.56 m	1 ft 10 in
Corner access*** (Narrow/RT)	0.53 m	1 ft 9 in	0.51 m	1 ft 8 in	0.70 m	2 ft 3.5 in
I J Wall access front/side (Standard)	0.15 x 0.33 m	6 in x 1 ft 1 in	0.18 x 0.43 m	7 in x 1 ft 5 in	0.20 x 0.53 m	8 in x 1 ft 9 in
Wall access front/side (Narrow/RT)	0.30 x 0.43 m	1 ft x 1 ft 5 in	0.25 x 0.43 m	10 in x 1 ft 5 in	0.23 x 0.51 m	9 in x 1 ft 8 in
Outdoor:						
F G Outrigger footprint (l/w) (Standard)	2.46 x 2.26 m	8 ft 1 in x 7 ft 5 in	2.97 x 2.79 m	9 ft 9 in x 9 ft 2 in	2.97 x 2.79 m	9 ft 9 in x 9 ft 2 in
Outrigger footprint (l/w) (Narrow/RT)	2.84 x 2.84 m	9 ft 4 in x 9 ft 4 in	2.84 x 2.84 m	9 ft 4 in x 9 ft 4 in	3.30 x 3.45 m	10 ft 10 in x 11 ft 4 in
H Corner access*** (Standard)	0.48 m	1 ft 7 in	0.76 m	2 ft 6 in	0.69 m	2 ft 3 in
Corner access*** (Narrow/RT)	1.37 m	4 ft 6 in	1.32 m	4 ft 4 in	1.55 m	5 ft 1 in
I J Wall access front/side (Standard)	0.48 x 0.81 m	1 ft 7 in x 2 ft 8 in	0.74 x 1.07 m	2 ft 5 in x 3 ft 6 in	0.69 x 1.07 m	2 ft 3 in x 3 ft 6 in
Wall access front/side (Narrow/RT)	0.81 x 1.12 m	2 ft 8 in x 3 ft 8 in	0.74 x 1.12 m	2 ft 5 in x 3 ft 8 in	0.89 x 1.40 m	2 ft 11 in x 4 ft 7 in
Platform Dimensions: (l/w/h)						
Standard	0.69 x 0.66 x 1.14 m	27 x 26 x 44.75 in	0.69 x 0.66 x 1.14 m	27 x 26 x 44.75 in	0.69 x 0.66 x 1.14 m	27 x 26 x 44.75 in
Gated standard	0.69 x 0.66 x 1.14 m	27 x 26 x 44.75 in	0.69 x 0.66 x 1.14 m	27 x 26 x 44.75 in	0.69 x 0.66 x 1.14 m	27 x 26 x 44.75 in
Gated ultra narrow	0.56 x 0.46 x 1.14 m	22 x 18 x 44.75 in	0.56 x 0.46 x 1.14 m	22 x 18 x 44.75 in	0.56 x 0.46 x 1.14 m	22 x 18 x 44.75 in
Gated narrow	0.66 x 0.51 x 1.14 m	26 x 20 x 44.75 in	0.66 x 0.51 x 1.14 m	26 x 20 x 44.75 in	0.66 x 0.51 x 1.14 m	26 x 20 x 44.75 in
Standard fiberglass	0.74 x 0.67 x 1.10 m	29 x 26.5 x 43.5 in	0.74 x 0.67 x 1.10 m	29 x 26.5 x 43.5 in	0.74 x 0.67 x 1.10 m	29 x 26.5 x 43.5 in
Narrow fiberglass	0.66 x 0.56 x 1.10 m	26 x 22 x 43.5 in	0.66 x 0.56 x 1.10 m	26 x 22 x 43.5 in	0.66 x 0.56 x 1.10 m	26 x 22 x 43.5 in
POWER						
Power source - AC or DC models	12V DC / 220/50-60 Hz AC		12V DC / 220/50-60 Hz AC		12V DC / 220/50-60 Hz AC	
WEIGHT						
AC models (Standard)	307 kg	677 lbs	330 kg	727 lbs	352 kg	777 lbs
AC models (Narrow/RT)	99 kg	660 lbs	315 kg	2694 lbs	331 kg	729 lbs
DC models (Standard)	347 kg	766 lbs	371 kg	817 lbs	393 kg	867 lbs
DC models (Narrow/RT)	340 kg	749 lbs	354 kg	780 lbs	371 kg	818 lbs
Air motor (Standard)	—	—	—	—	352 kg	777 lbs
Air motor (Narrow/RT)	—	—	—	—	331 kg	729 lbs
STANDARDS COMPLIANCE						
	ANSI A92.3, CSA B354.1, CE Compliance, AS 1418.10					

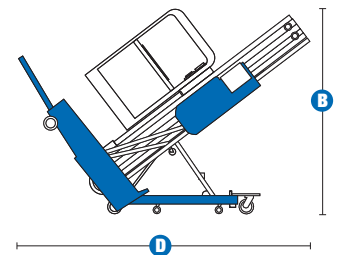
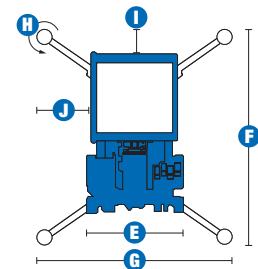
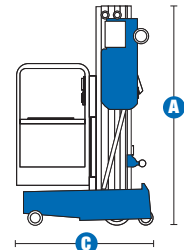
* The metric equivalent of working height adds 2 m to platform height. U.S. adds 6 ft to platform height.
 ** Tilt back height with standard platform. For tilt back height with other platforms, please contact your sales representative.
 *** Corner of platform top rail to corner of wall with ability to rotate leveling jack handle.



Ph: 1300 87 44 73
UNIT 13 & 14, 61-63 Regentville Road,
Jamisontown, NSW 2750

Specifications

MODELS	AWP™-36S		AWP™-40S	
	Metric	US	Metric	US
Working height*	13.10 m	42 ft 5 in	14.29 m	46 ft 4 in
Platform height	11.10 m	36 ft 5 in	12.29 m	40 ft 4 in
A Height - stowed (Standard, Narrow) stowed (RT)	2.78 m	9 ft 1.5 in	2.78 m	9 ft 1.5 in
B tilted back** (Standard)	1.92 m	6 ft 3.5 in	1.98 m	6 ft 6 in
C Length - stowed (Standard) stowed (Narrow) stowed (RT)	1.40 m	4 ft 7 in	1.42 m	4 ft 8 in
D Length - tilted back**	2.97 m	9 ft 9 in	2.97 m	9 ft 9 in
E Width (Standard) Width (Narrow) Width (RT)	0.74 m	2 ft 5 in	0.74 m	2 ft 5 in



PRODUCTIVITY				
Lift capacity	159 kg	350 lbs	136 kg	300 lbs
Indoor:				
F G Outrigger footprint (l/w) (Standard)	2.12 x 1.91 m	6 ft 11 in x 6 ft 3 in	2.26 x 2.06 m	7 ft 5 in x 6 ft 9 in
Outrigger footprint (l/w) (Narrow/RT)	_____	_____	_____	_____
H Corner access*** (Standard)	0.74 m	2 ft 5 in	0.79 m	2 ft 7 in
Corner access*** (Narrow/RT)	_____	_____	_____	_____
I J Wall access front/side (Standard)	0.36 x 0.64 m	1 ft 2 in x 2 ft 1 in	0.38 x 0.71 m	1 ft 3 in x 2 ft 4 in
Wall access front/side (Narrow/RT)	_____	_____	_____	_____
Outdoor:				
F G Outrigger footprint (l/w) (Standard)	3.53 x 3.33 m	11 ft 7 in x 10 ft 11 in	3.89 x 3.68 m	12 ft 9 in x 12 ft 1 in
Outrigger footprint (l/w) (Narrow/RT)	_____	_____	_____	_____
H Corner access*** (Standard)	1.02 m	3 ft 4 in	1.12 m	3 ft 8 in
Corner access*** (Narrow/RT)	_____	_____	_____	_____
I J Wall access front/side (Standard)	1.02 x 1.32 m	3 ft 4 in x 4 ft 4 in	1.12/1.52 m	3 ft 8 in/5 ft
Wall access front/side (Narrow/RT)	_____	_____	_____	_____
Platform Dimensions: (l/w/h)				
Standard	0.69 x 0.66 x 1.14 m	27 x 26 x 44.75 in	0.69 x 0.66 x 1.14 m	27 x 26 x 44.75 in
Gated standard	0.69 x 0.66 x 1.14 m	27 x 26 x 44.75 in	0.69 x 0.66 x 1.14 m	27 x 26 x 44.75 in
Gated ultra narrow	0.56 x 0.46 x 1.14 m	22 x 18 x 44.75 in	0.56 x 0.46 x 1.14 m	22 x 18 x 44.75 in
Gated narrow	0.66 x 0.51 x 1.14 m	26 x 20 x 44.75 in	0.66 x 0.51 x 1.14 m	26 x 20 x 44.75 in
Standard fiberglass	0.74 x 0.67 x 1.10 m	29 x 26.5 x 43.5 in	0.74 x 0.67 x 1.10 m	29 x 26.5 x 43.5 in
Narrow fiberglass	0.66 x 0.56 x 1.10 m	26 x 22 x 43.5 in	0.66 x 0.56 x 1.10 m	26 x 22 x 43.5 in

POWER		
Power source - AC or DC models	12V DC / 220/50-60 Hz AC	12V DC / 220/50-60 Hz AC

WEIGHT				
AC models (Standard)	461 kg	1,017 lbs	472 kg	1,040 lbs
AC models (Narrow/RT)	_____	_____	_____	_____
DC models (Standard)	502 kg	1,107 lbs	513 kg	1,130 lbs
DC models (Narrow/RT)	_____	_____	_____	_____
Air motor (Standard)	_____	_____	_____	_____
Air motor (Narrow/RT)	_____	_____	_____	_____

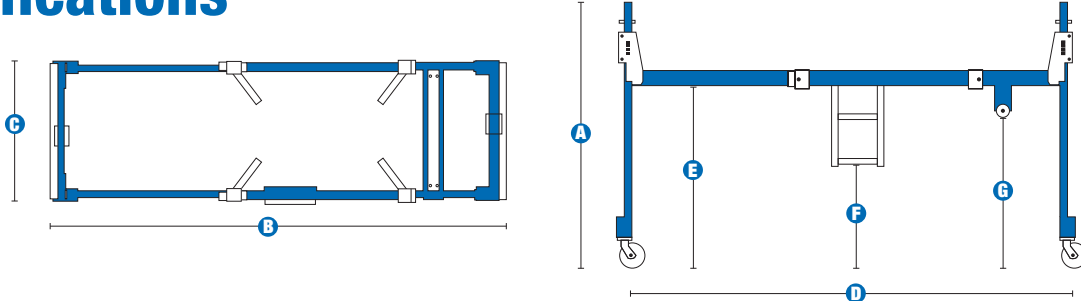
STANDARDS COMPLIANCE				
ANSI A92.3, CSA B354.1, CE Compliance, AS 1418.10				



Ph: 1300 87 44 73

**UNIT 13 & 14, 61-63 Regentville Road,
 Jamisontown, NSW 2750**

Specifications



MEASUREMENTS	AWP™-20S		AWP™-25S		AWP™-30S	
	Metric	US	Metric	US	Metric	US
A Height	1.78 m	5 ft 10 in	1.78 m	5 ft 10 in	1.78 m	5 ft 10 in
B Length (adjustable)	2.77 – 3.25 m	9 ft 1 in – 10 ft 8 in	2.77 – 3.25 m	9 ft 1 in – 10 ft 8 in	2.77 – 3.25 m	9 ft 1 in – 10 ft 8 in
C Width	0.97 m	3 ft 2 in	0.97 m	3 ft 2 in	0.97 m	3 ft 2 in
Width with required outriggers	1.75 m	5 ft 9 in	2.05 m	6 ft 9 in	2.31 m	7 ft 7 in
D Wheelbase (adjustable)	2.64 – 3.25 m	8 ft 8 in – 10 ft 8 in	2.64 – 3.25 m	8 ft 8 in – 10 ft 8 in	2.64 – 3.25 m	8 ft 8 in – 10 ft 8 in
E Straddle clearance	1.22 m	4 ft	1.22 m	4 ft	1.22 m	4 ft
F Height to ladder	0.69 m	2 ft 3 in	0.69 m	2 ft 3 in	0.69 m	2 ft 3 in
G Height to fixed wheel	1.02 m	3 ft 4 in	1.02 m	3 ft 4 in	1.02 m	3 ft 4 in
Storage dimensions (l/w/d)	2.03 x 0.94 x 0.61 m	80 x 37 x 24 in	2.03 x 0.94 x 0.61 m	80 x 37 x 24 in	2.03 x 0.94 x 0.61 m	80 x 37 x 24 in
WEIGHT						
	263 kg	580 lbs	263 kg	580 lbs	263 kg	580 lbs

MEASUREMENTS	AWP™-36S		AWP™-40S	
	Metric	US	Metric	US
A Height	1.78 m	5 ft 10 in	1.78 m	5 ft 10 in
B Length (adjustable)	2.77 – 3.25 m	9 ft 1 in – 10 ft 8 in	2.77 – 3.25 m	9 ft 1 in – 10 ft 8 in
C Width	0.97 m	3 ft 2 in	0.97 m	3 ft 2 in
Width with required outriggers	2.57 m	8 ft 5 in	2.77 m	9 ft 1 in
D Wheelbase (adjustable)	2.64 – 3.25 m	8 ft 8 in – 10 ft 8 in	2.64 – 3.25 m	8 ft 8 in – 10 ft 8 in
E Straddle clearance	1.22 m	4 ft	1.22 m	4 ft
F Height to ladder	0.69 m	2 ft 3 in	0.69 m	2 ft 3 in
G Height to fixed wheel	1.02 m	3 ft 4 in	1.02 m	3 ft 4 in
Storage dimensions (l/w/d)	2.03 x 0.94 x 0.61 m	80 x 37 x 24 in	2.03 x 0.94 x 0.61 m	80 x 37 x 24 in
WEIGHT				
	263 kg	580 lbs	263kg	580 lbs



Ph: 1300 87 44 73

**UNIT 13 & 14, 61-63 Regentville Road,
 Jamisontown, NSW 2750**