

## SELF-PROPELLED SCISSOR LIFTS

# GS™-2668 RT & GS™-3268 RT



## Features

### STANDARD FEATURES

#### MEASUREMENTS

##### GS™-2668RT

- 9.92 m (32 ft) working height
- Up to 567 kg (1,250 lb) lift capacity

##### GS™-3268RT

- 11.75 m (38 ft) working height
- Up to 454 kg (1,000 lb) lift capacity

#### PRODUCTIVITY

- 2.51 m x 1.55 m (8 ft 3 in x 5 ft 1 in) steel frame platform with replaceable diamond plate aluminum deck
- 1.52 m (5 ft) extension deck
- Automatic leveling hydraulic outriggers
- Folding guardrails
- Proportional lift and drive
- Full height swing gate
- 4WD
- Positive traction control
- Four-wheel braking
- Swing-out engine tray
- Foam-filled rough terrain tyres
- Tilt alarm
- Descent alarm
- Horn
- Hour meter
- Dual flashing beacons
- Motion alarm

#### POWER

- Kubota diesel 18.6 kW (24.9 hp)

### OPTIONS & ACCESSORIES

#### PRODUCTIVITY

- Air line to platform
- Non-marking rough terrain tyres 30 x 60 cm (12 x 23.5 in)
- Platform work lights

#### POWER OPTIONS

- Cold weather package
- Arctic package
- 240 V power to platform



**Ph: 1300 87 44 73**

**UNIT 13 & 14, 61-63 Regentville Road,  
Jamisontown, NSW 2750**

# SELF-PROPELLED SCISSOR LIFTS

## GS™-2668 RT & GS™-3268 RT



# Specifications

MODELS	GS™-2668 RT		GS™-3268 RT	
MEASUREMENTS	Metric	US	Metric	US
Working height maximum*	9.92 m	32 ft	11.75 m	38 ft
<b>A</b> Platform height maximum	7.92 m	26 ft	9.75 m	32 ft
<b>B</b> Platform height - stowed	1.19 m	3 ft 10.75 in	1.31 m	4 ft 3.75 in
<b>C</b> Platform length - outside	2.51 m	8 ft 3 in	2.51 m	8 ft 3 in
extended	3.96 m	13 ft	3.96 m	13 ft
Slide-out platform extension deck	1.52 m	5 ft	1.52 m	5 ft
<b>D</b> Platform width - outside	1.55 m	5 ft 1 in	1.55 m	5 ft 1 in
Toeboard height	0.15 m	6 in	0.15 m	6 in
<b>E</b> Height - stowed**	2.32 m	7 ft 7.5 in	2.45 m	8 ft 5 in
rails lowered	1.70 m	5 ft 7 in	1.83 m	6 ft
<b>F</b> Length - stowed with outriggers	3.38 m	11 ft 3 in	3.38 m	11 ft 3 in
<b>G</b> Width	1.73 m	5 ft 8 in	1.73 m	5 ft 8 in
<b>H</b> Wheelbase	1.85 m	6 ft 1 in	1.85 m	6 ft 1 in
<b>I</b> Ground clearance - centre	0.20 m	8 in	0.20 m	8 in

### PRODUCTIVITY

Maximum platform occupancy***				
- indoor	4	4	4	4
- outdoor	4	4	2	2
Lift capacity	567 kg	1,250 lbs	454 kg	1,000 lbs
Extension deck capacity	136 kg	300 lbs	136 kg	300 lbs
Drive speed - stowed	6.1 km/h	3.8 mph	6.1 km/h	3.8 mph
Drive speed - raised	0.8 km/h	0.5 mph	0.8 km/h	0.5 mph
Gradeability - stowed****	35%	35%	30%	30%
Maximum outrigger leveling:				
front to back	6.6°	6.6°	6.6°	6.6°
side to side	10.6°	10.6°	10.6°	10.6°
Turning radius - inside	1.52 m	5 ft	1.52 m	5 ft
Turning radius - outside	3.68 m	12 ft 1 in	3.68 m	12 ft 1 in
Raise/lower speed	30 / 35 sec	30 / 35 sec	40 / 37 sec	40 / 37 sec
Controls	proportional		proportional	
Drive	four wheel		four wheel	
Tyres - rough terrain	30 x 60 cm	12 x 23.5 in	30 x 60 cm	12 x 23.5 in

### POWER

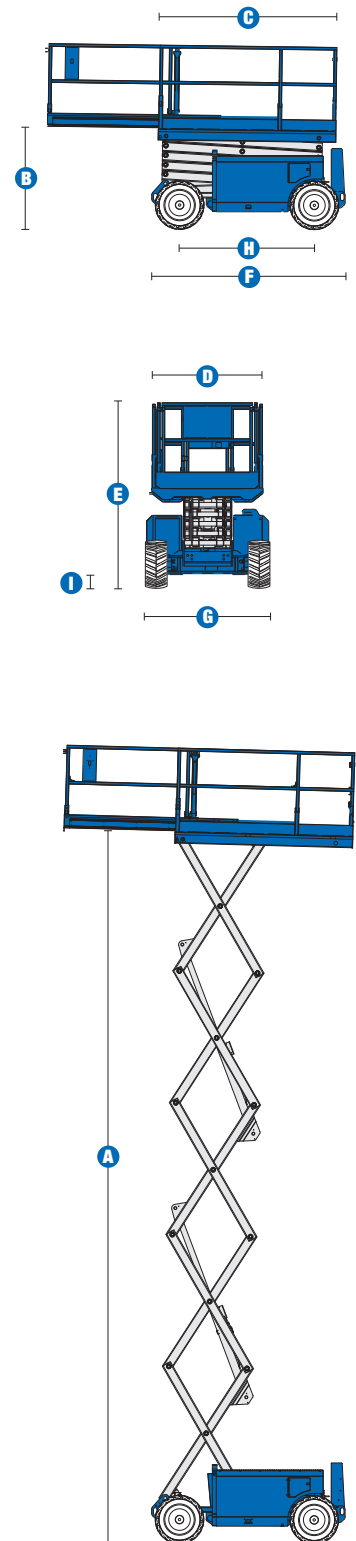
Power source	Kubota D-1105 Diesel 24.9 hp		Kubota D-1105 Diesel 24.9 hp	
Fuel tank capacity	56.8 L	15 gal	56.8 L	15 gal
Hydraulic system capacity	62.5 L	16.5 gal	62.5 L	16.5 gal

### WEIGHT\*\*\*\*\*

with outriggers	3,415 kg	7,529 lbs	4,153 kg	9,156 lbs
-----------------	----------	-----------	----------	-----------

### STANDARDS COMPLIANCE

ANSI A92.6, CSA B354.2, CE Compliance, AS 1418.10



\* The metric equivalent of working height adds 2 m to platform height. U.S. adds 6 ft to platform height.

\*\* Based on RT tyres; deduct 2 in (5.8 cm) for turf and non-marking tyres.

\*\*\* CE/AUS markets: GS-3268 limited to 2 person platform occupancy when used outdoors.

\*\*\*\* Gradeability applies to driving on slopes. Gradeability may vary depending on the weight of options installed on machine. See operator's manual for details regarding slope ratings.

\*\*\*\*\* Weight varies depending on options and country standards.