



STAR 8 STAR 10



- 10 ft 2 in (3,1m) outreach.
- Compact: 345°. Rotation with zero tail swing.
- 441 lb (200 kg) platform capacity.
- Proportional electric controls.
- High autonomy.
- Internal and external use

STAR 8 STAR 10

Vertical masts

advantages

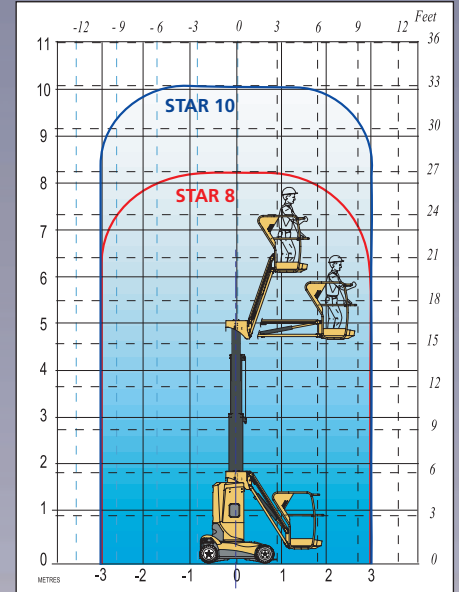
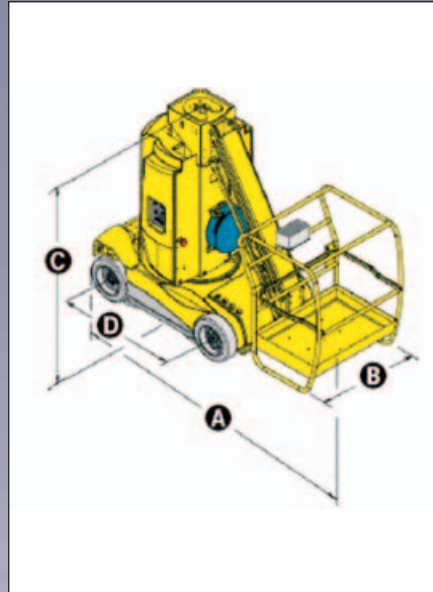
- Full electric drive with the ability to drive at full height
- Proportional controls provide for smooth and progressive movements
- Narrow turning radius for better accessibility
- Increased safety with 3° slope sensor and pot hole protection
- The positive/negative jib offers more flexibility throughout the working envelope
- 2.8 mph (4.5 km/h) travel speed
- 23% gradeability
- Low total weight for easier transport and more applications
- Ergonomic and spacious cage design
- Robust, reliable and easy to maintain

STANDARD FEATURES

- 24 V Electric motor
- 24 V – 240 Ah traction batteries
- 30 Amp battery charger
- Battery charge indicator
- 2 drive speed
- 2 back driving wheels
- 2 front steering wheels
- Non marking tyres
- Free wheel device
- Hourmeter
- Horn in cage
- Emergency stop buttons at cage and ground
- 2 Control stations, cage and ground

OPTIONS & ACCESSORIES

- Centralised battery filling
- Flashing beacon
- Safety harness anchor points
- Motion alarm
- 220V line to cage
- Airline to cage



SPECIFICATIONS

| | Star 8 | Star 10 |
|------------------------|----------------------------------|--------------------|
| Working Height | 8.20 m / 28 ft 9 in | 10 m / 32 ft 10 in |
| Platform Height | 6.20 m / 22 ft 2 in | 8 m / 26 ft 3 in |
| Horizontal outreach | 3,1m / 10 ft 2 in | |
| Platform Capacity | 200 kg / 441 lb | |
| A Length | 2,65m / 8 ft 8 in | |
| B Width | 0.99m / 3ft 2in | |
| C Stowed Height | 1.99 m / 6 ft 6 in | |
| D Wheelbase | 1.2 m / 3 ft 11 in | |
| Ground Clearance | de 2,5 cm à 10 cm / 1 in to 4 in | |
| Platform size | 0.92x0.68m / 36 in x 27 in | |
| Tailswing | 0 | |
| Drive speed | 0.7 - 4.5 km/h / 0.43 - 2.8 mph | |
| Outside turning radius | 1.87m / 6ft 1 in | |
| Turntable rotation | 345° | |
| Traction batteries | 24 V (2 x 12 V) / 240 Ah | |
| Gradeability | 23% | |
| Tilt alarm | 3° | |
| Non marking tyres | 16" x 5" x 10,5" | |
| Weight | 2700kg / 5952 lb | 2760 kg / 6085 lb |

AS 1418.10



Ph: 1300 87 44 73

UNIT 13 & 14,
61-63 Regentville Road
Jamisontown NSW 2750