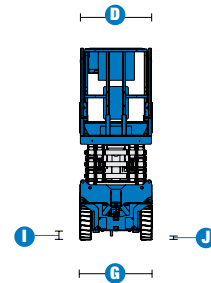
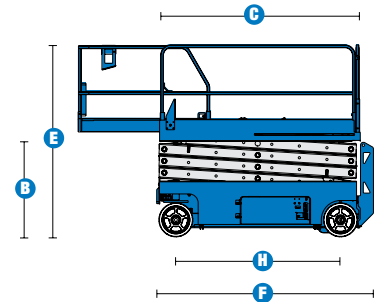


# Specifications

MODEL	GS™-4047	
MEASUREMENTS	Metric	Imperial
Working height maximum*	13.70 m	44 ft 4.6 in
<b>A</b> Platform height maximum	11.70 m	38 ft 4.6 in
<b>B</b> Platform height - stowed	1.43 m	4 ft 8.3 in
<b>C</b> Platform length - outside	2.26 m	7 ft 5 in
	extended	3.18 m
Slide-out platform extension deck	0.91 m	3 ft
<b>D</b> Platform width - outside	1.16 m	3 ft 9.5 in
Guardrail height	1.10 m	3 ft 7 in
Toeboard height	0.15 m	6 in
<b>E</b> Height - stowed: folding guardrails rails lowered	2.54 m	8 ft 4 in
	1.96 m	6 ft 5 in
<b>F</b> Length - stowed	2.49 m	8 ft 2 in
	extended	3.38 m
<b>G</b> Width	1.19 m	3 ft 11 in
<b>H</b> Wheelbase	1.85 m	6 ft 1 in
<b>I</b> Ground clearance - centre	0.10 m	4 in
<b>J</b> - with pothole guards deployed	1.90 cm	0.75 in



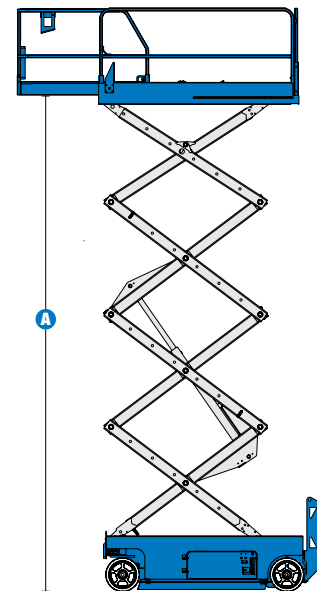
PRODUCTIVITY		
Max platform occupancy (indoor/outdoor) <sup>1</sup>	3/-	
Lift capacity	350 kg	770 lbs
Drive height	full height	
Drive speed - stowed	3.2 km/h	2.0 mph
Drive speed - raised	0.8 km/h	0.5 mph
Gradeability - stowed**	25%	
Turning radius - inside	zero	
Turning radius - outside	2.31 m	91 in
Raise/lower speed	71/41 sec	
Controls	proportional drive / 2 speed lift	
Drive	dual front wheel	
Multiple disc brakes	dual rear wheel	
Tyres solid non-marking	38 x 13 x 28 cm	15 x 5 x 11 in

POWER		
Power source	24 V DC, 300 Ah (four 12 V, 150 Ah batteries in parallel series)	
Hydraulic system capacity	28.4 L	7.5 gal

SOUND & VIBRATION LEVELS		
Sound pressure level (ground workstation)	< 70 dB(A)	
Sound pressure level (platform workstation)	< 70 dB(A)	
Vibration	< 2.5 m/s <sup>2</sup>	< 8 ft 2 in/s <sup>2</sup>

WEIGHT***		
	3222 kg	7103 lbs

STANDARDS COMPLIANCE		
CE compliance, AS 1418.10		



<sup>1</sup> Indoor use only  
 \* The metric equivalent of working height adds 2 m to platform height.  
 \*\* Gradeability applies to driving on slopes. See Operator's Manual for details regarding slope ratings.  
 \*\*\* Weight will vary depending on options and/or country standards.

## Features

### STANDARD FEATURES

#### MEASUREMENTS

- 13.7 m (44 ft 4.6 in) working height
- Up to 350 kg (770 lb) lift capacity

#### PRODUCTIVITY

- 2.26 x 1.15 m (7 ft 5 in x 3 ft 9.3 in) steel platform
- 0.91 m (3 ft) extension deck
- Folding guardrails with full height swing gate
- Dual front wheel drive
- Smart Link™ control system (joystick, 2 lift speeds & 2 selectable proportional drive speeds, user-friendly diagnostics)
- Platform control with battery charge indicator
- Lanyard attachment points
- Manual platform lowering valve
- Emergency stop at both platform and ground controls
- Rear wheel multiple disc brakes
- Front wheel hydraulic dynamic braking
- Manual brake release
- Swing-out component trays
- Pothole guards
- Solid non-marking tyres
- Tilt level sensor with audible alarm
- Descent alarm
- Automotive-style horn
- Hour meter
- Certified load sensor
- Dual flashing beacons
- Motion alarm

#### POWER

- 24 V DC, 300 Ah (four 12 V 150 Ah batteries in parallel series)
- Universal 20 amp smart charger

### OPTIONS & ACCESSORIES

#### PRODUCTIVITY

- Platform work lights
- Air line to platform

#### POWER OPTION

- 240 V power to platform



### Genie Australia – Toll free number 1800 788 633

**Brisbane (Head Office)**  
33 Kimberley Street  
Darra QLD 4076

**Sydney**  
74 Glendenning Road  
Glendenning NSW 2761

**Melbourne**  
374 Hammond Road  
Dandenong VIC 3175

**Perth**  
126 Sheffield Road  
Welshpool WA 6106

### Genie United States Distributed by:

18340 NE 76th Street  
P.O. Box 97030  
Redmond, Washington  
98073-9730

Effective Date: February 2013. Product specifications and prices are subject to change without notice or obligation. The photographs and/or drawings in this document are for illustrative purposes only. Refer to the appropriate Operators' Manual for instructions on the proper use of this equipment. Failure to follow the Operators Manual when using our equipment or to otherwise act irresponsibly may result in serious injury or death. The only warranty applicable to our equipment is the standard written warranty applicable to the particular product and sale and we make no other warranty, express or implied. Products and services listed may be trademarks, service marks, or trade names of Terex Corporation, Terex South Dakota, Inc., and/or their subsidiaries in the USA and other countries. All rights reserved. Terex is a registered trademark of Terex Corporation in the USA and many other countries. Genie is a registered trademark of Terex South Dakota, Inc. in the USA and many other countries. ©2009 Terex Corporation.