

**P 200 AXE** *Smart*

**PALFINGER**

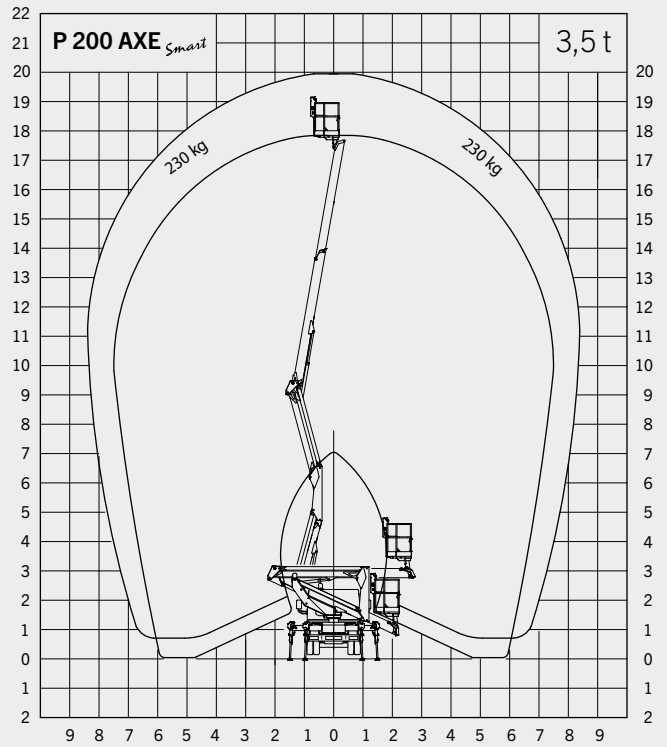
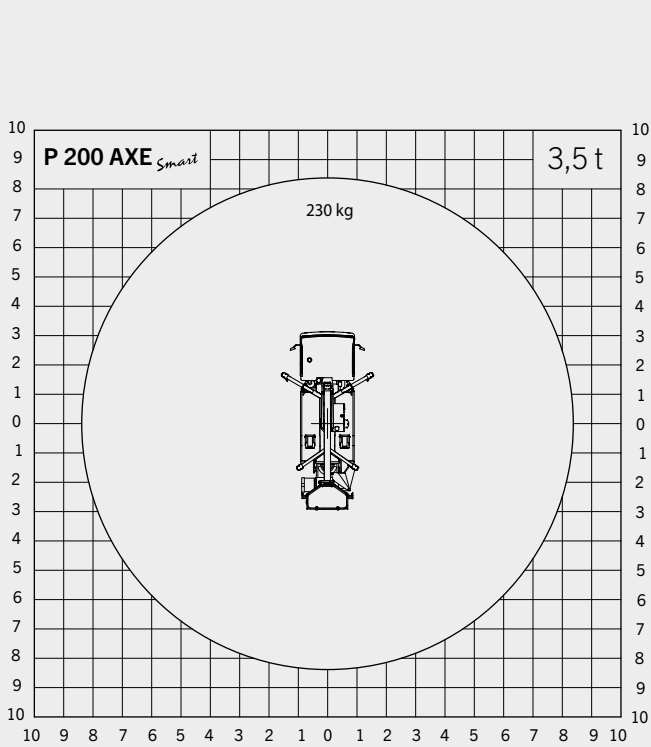
LIFETIME EXCELLENCE

**THE BEST SOLUTION FOR EFFICIENT OPERATIONS IN TERMS OF PERFORMANCE, SIZE AND RELIABILITY**



# P 200 AXE *Smart*

## WORKING DIAGRAMS



## DIMENSIONS

