

## "C" SIZE FULL COLOUR VIDEO BOARD TRAILER

The "C" Size Full Colour VIDEO Board, consists of a fully galvanized steel chassis and trailer components. All control boxes and panels are painted white, and the sides and rear of the VIDEO Board head are painted black for contrast. The VIDEO Board head is pushed vertically by an internal hydraulic cylinder, powered by the on board hydraulic power pack.

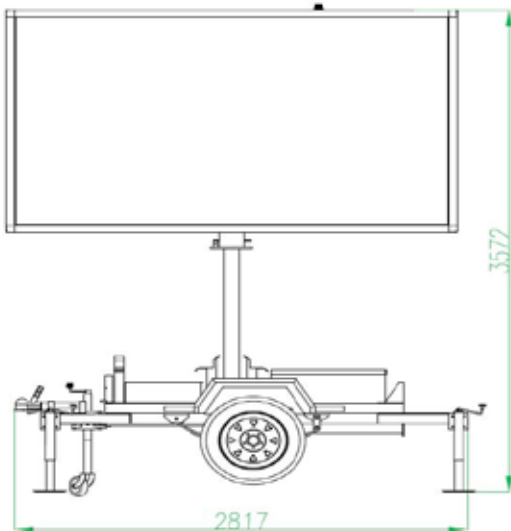
### Technical Specification

- ✓ Full Colour Video Screen screen.
- ✓ Voltage 230Volt.
- ✓ Display Area 1536H x 2688W.
- ✓ Resolution 240x420 Pixels.
- ✓ Pitch 6.4mm.
- ✓ USB Connection Point
- ✓ HDMI(DVI) Connection Point
- ✓ Sound card to play video with audio
- ✓ Hydraulic mast lifting system.
- ✓ Galvanized steel construction and trailer components.
- ✓ GPS Tracking.
- ✓ 3G Connection and remote control via INTERNET.
- ✓ Integrated Light & Temperature Sensor
- ✓ Australia Standard (AS 4852.2-2009)

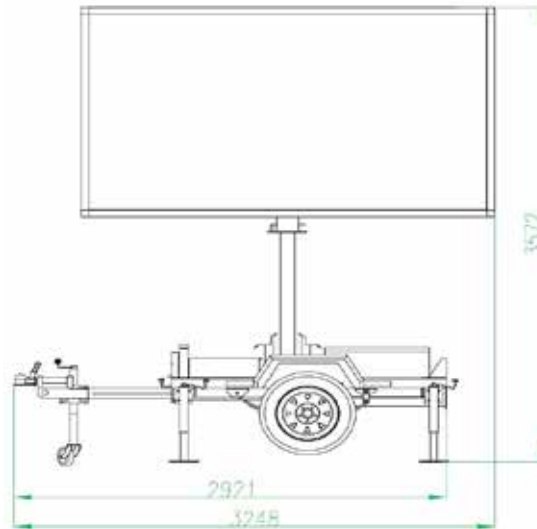


### Some advantages of the Full Colour Video Board Trailer

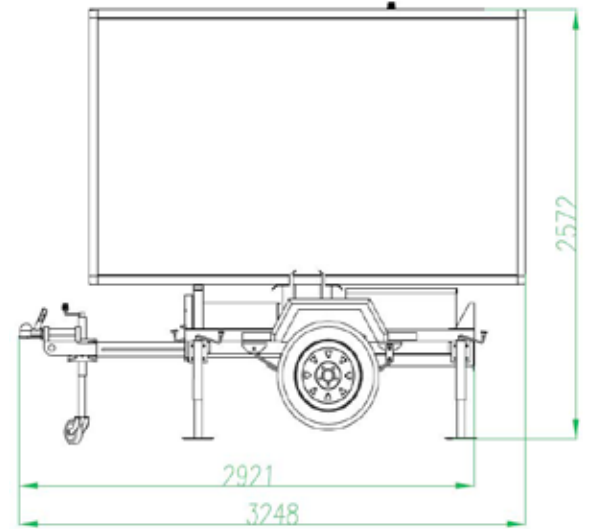
- ✓ Save 70% power consumption(max.) with the same brightness.
- ✓ Higher color contrast with the same brightness.
- ✓ Support full colour video with colour grey for advertisement application
- ✓ Modular design with optical lens design, EN12966 Certified, easier for installation and maintenance.



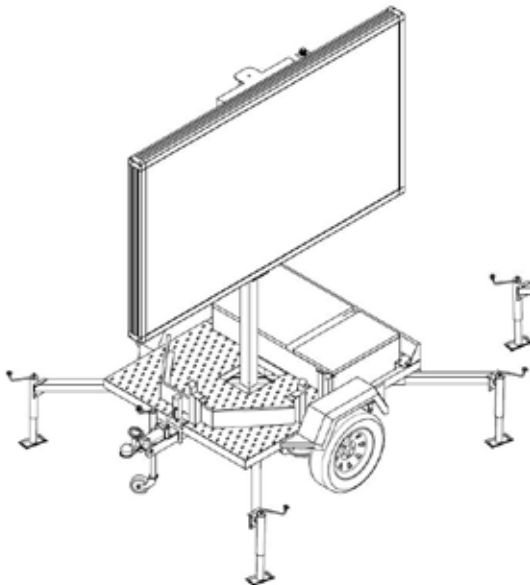
DRAW BAR RETRACTED



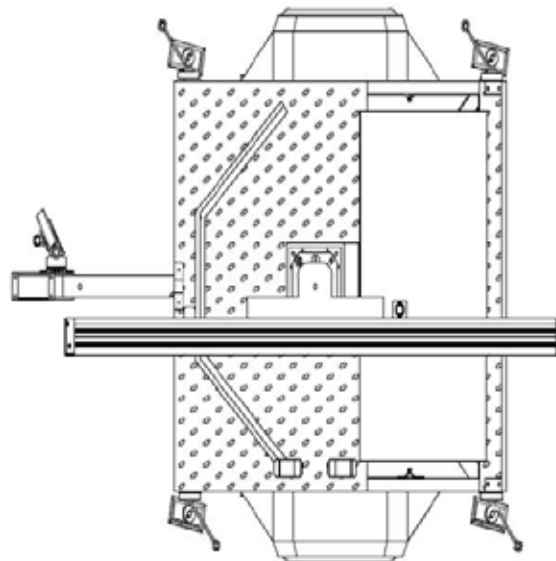
DRAW BAR EXTENDED



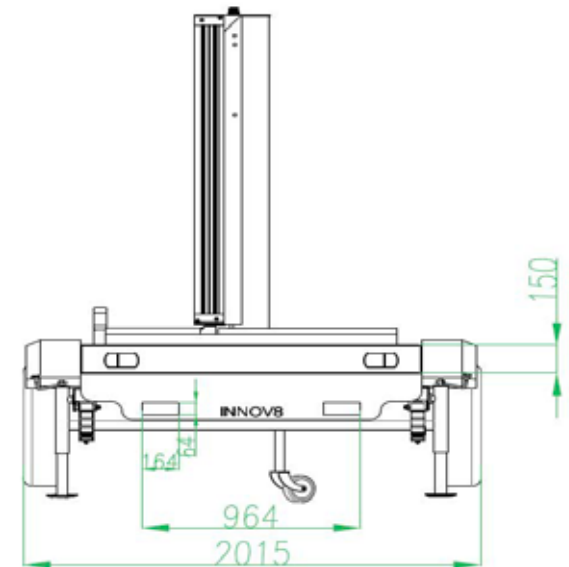
TRANSPORT MODE



DEPLOYED FOR USE DRAW BAR RETRACTED



TRANSPORT MODE



TRANSPORT MODE REAR VIEW